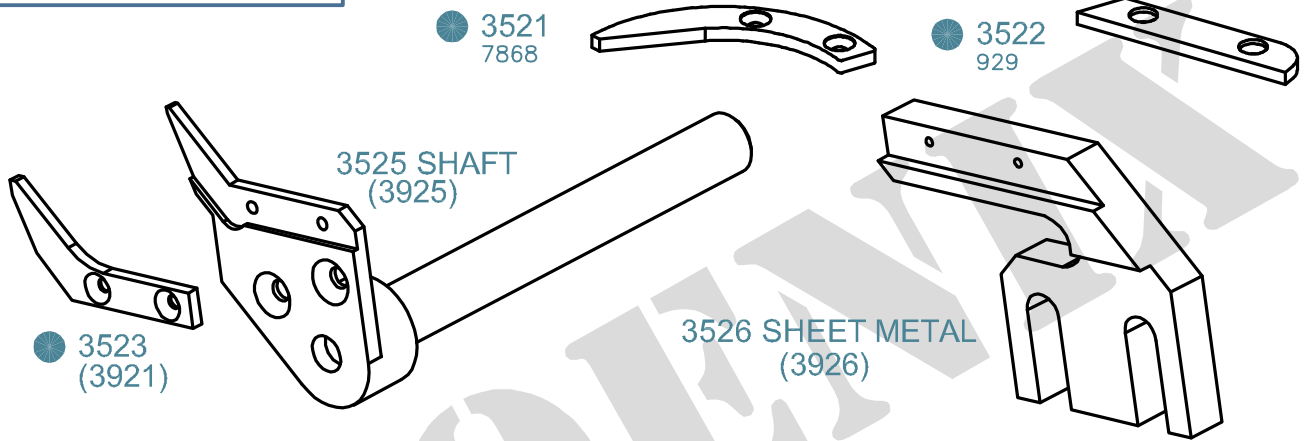


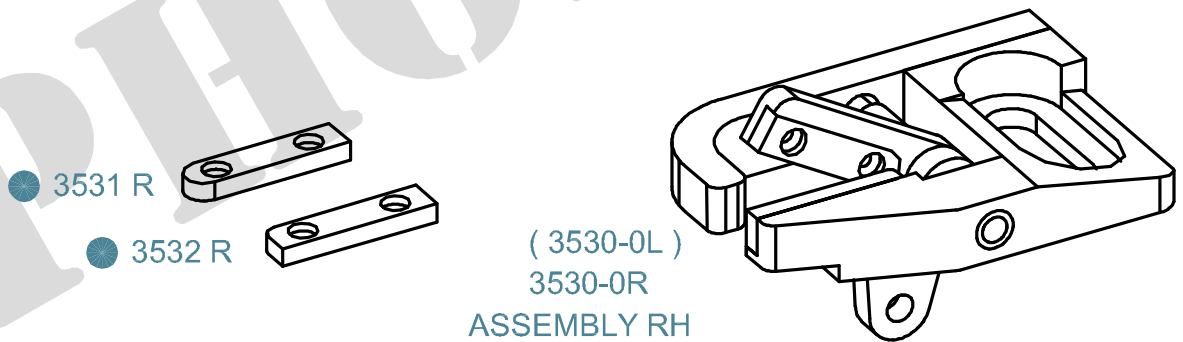
FOR TSUDAKOMA RAPIER

3520

3520 - TAV (WEFT)

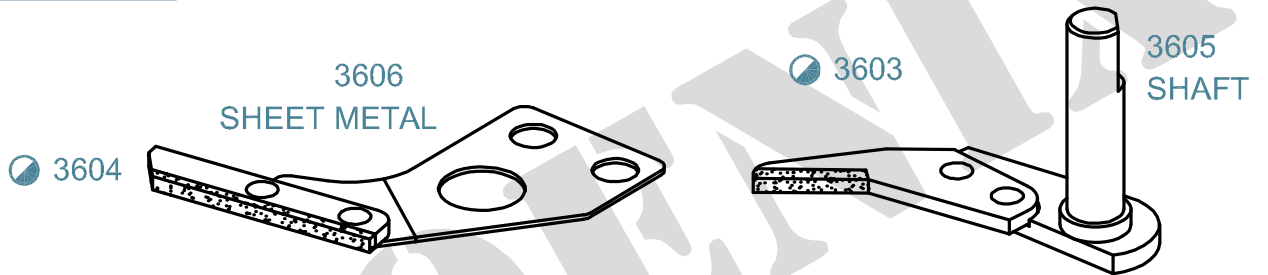


3530 - TAV (SELVEDGE RH & LH)

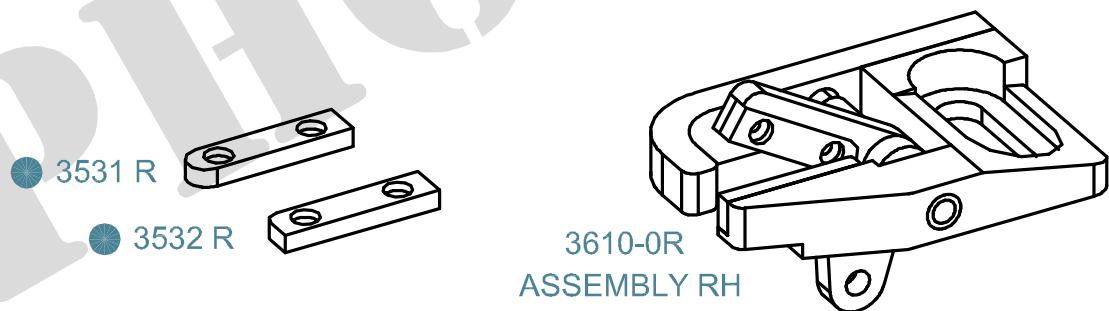


FOR KUKJEE RAPIER

3600 - (WEFT)



3610 - (SELVEDGE RH & LH)



MATERIAL CODE : ● SOLID CARBIDE , ○ HSS , ◐ BRAZED CARBIDE , ◎ TIN COATED